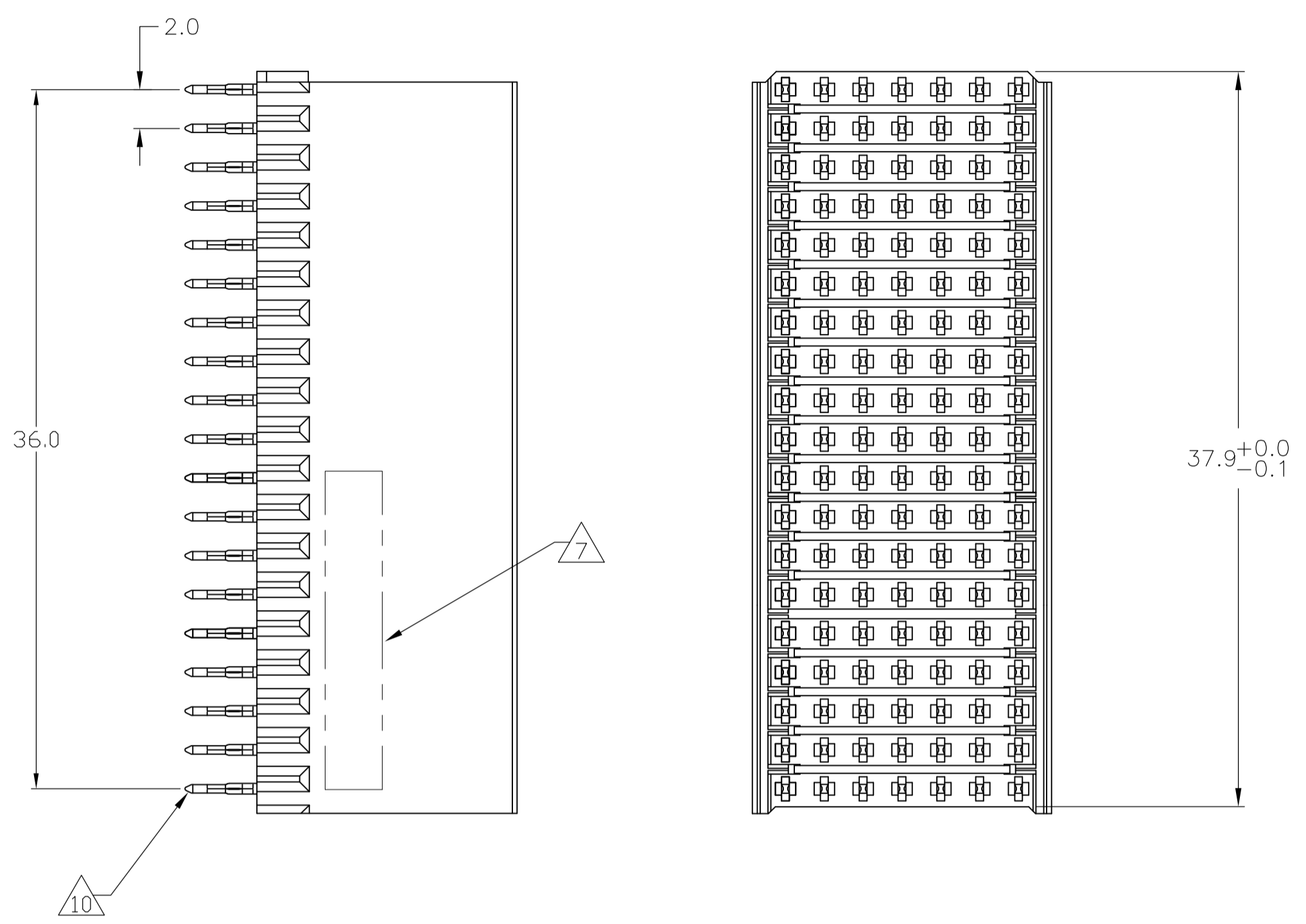
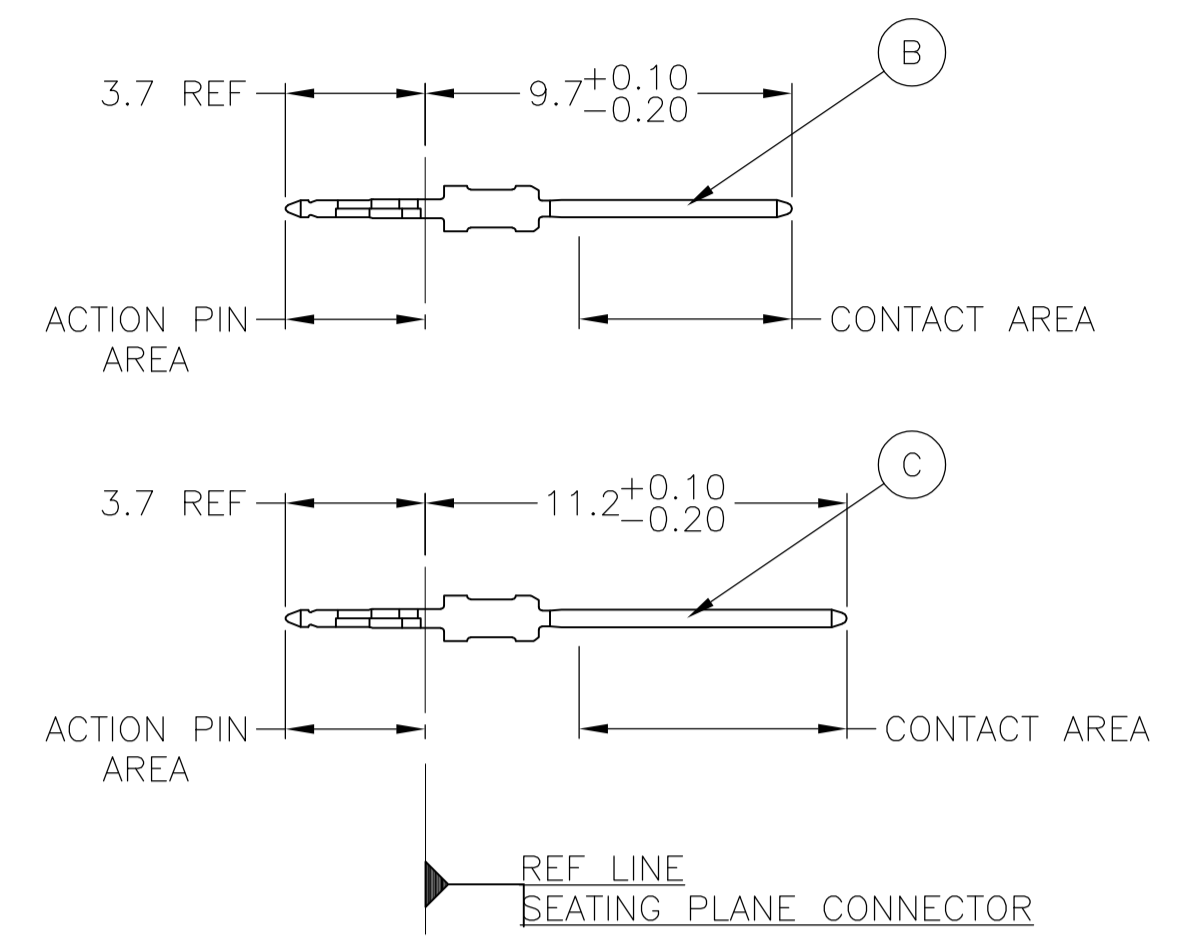


| LOC | | DIST | | REVISIONS | | | |
|-----|-----------------|--------------|---------|-----------|------|--|--|
| P | LTR | DESCRIPTION | DATE | DNW | APVD | | |
| 0 | REV PER EC | OS12-0318-04 | 15JUL05 | BC | GS | | |
| 01 | REVISED PER ECO | -10-000444 | 04NOV09 | KK | AEG | | |
| A | ECR | -10-019054 | 15SEP10 | DP | MQW | | |

CONNECTOR ASSEMBLY EXAMPLARY LOADED

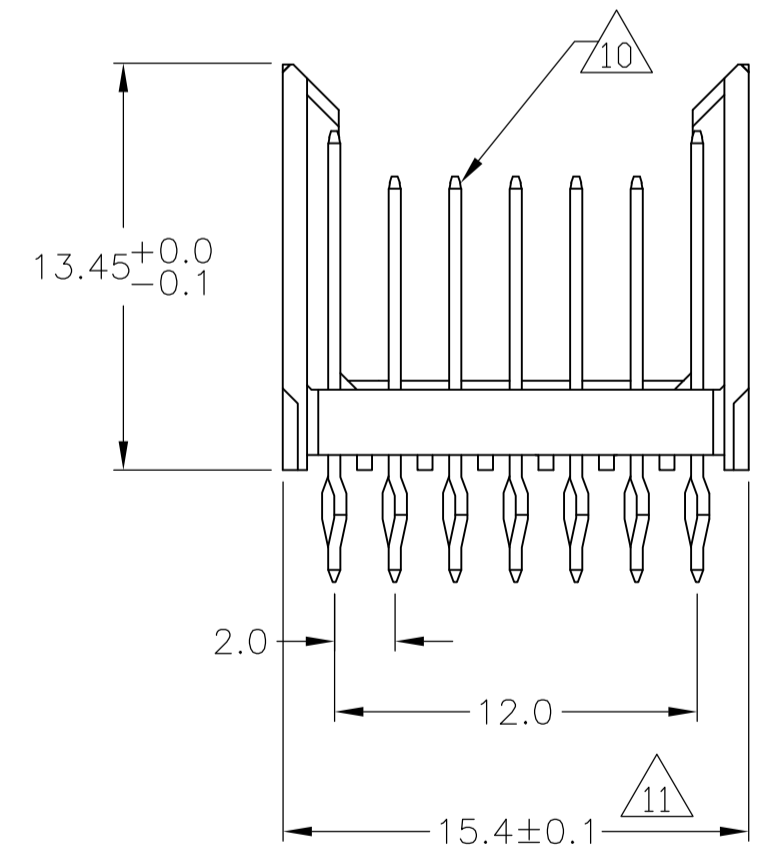


CONTACT DIMENSIONS SCALE 5:1

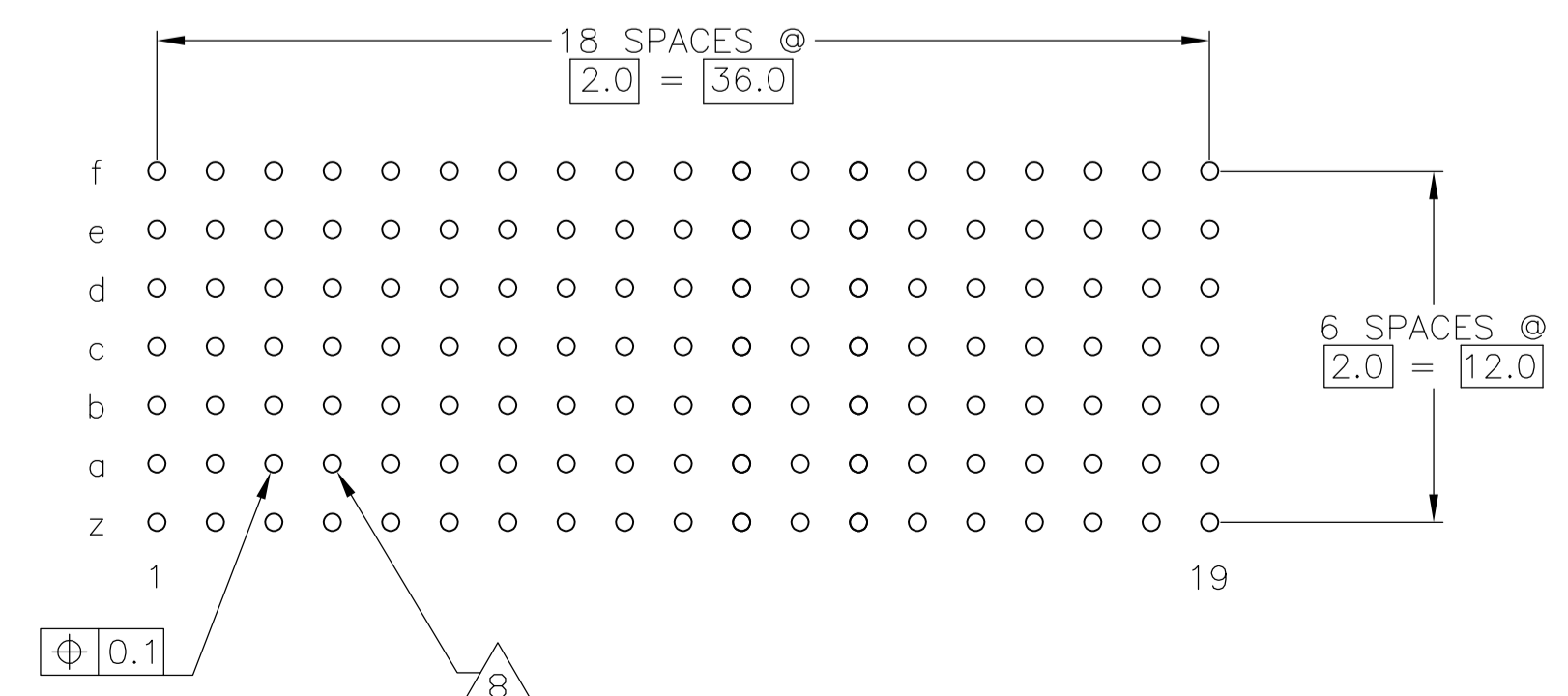


CONTACT LAYOUT

| | z | a | b | c | d | e | f |
|----|---|---|---|---|---|---|---|
| 1 | C | B | B | B | B | B | C |
| 2 | C | B | B | B | B | B | C |
| 3 | C | B | B | B | B | B | C |
| 4 | C | B | B | B | B | B | C |
| 5 | C | B | B | B | B | B | C |
| 6 | C | B | B | B | B | B | C |
| 7 | C | B | B | B | B | B | C |
| 8 | C | B | B | B | B | B | C |
| 9 | C | B | B | B | B | B | C |
| 10 | C | B | B | B | B | B | C |
| 11 | C | B | B | B | B | B | C |
| 12 | C | B | B | B | B | B | C |
| 13 | C | B | B | B | B | B | C |
| 14 | C | B | B | B | B | B | C |
| 15 | C | B | B | B | B | B | C |
| 16 | C | B | B | B | B | B | C |
| 17 | C | B | B | B | B | B | C |
| 18 | C | B | B | B | B | B | C |
| 19 | C | B | B | B | B | B | C |



RECOMMENDED PCB-HOLE LAYOUT COMPONENT SIDE SHOWN




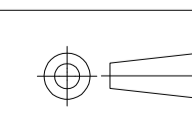
PLATED THRU HOLES PARAMETERS REFERENCE APPLICATION SPECIFICATION

| | | |
|----------------|--------|-------------|
| 13 OBSOLETE | 2 6 12 | 1-5352033-9 |
| | 2 5 12 | 5352033-9 |
| | 2 4 | 5352033-4 |
| | 2 3 | 5352033-1 |
| | FINISH | PART NUMBER |

| | | | | |
|--|------------------|--------------------------------------|---|---------------|
| THIS DRAWING IS A CONTROLLED DOCUMENT. | | DIN B CARBO 15JUL05 | Tyco Electronics Corporation Harrisburg, Pa 17105-3608 | |
| DIMENSIONS: mm | | CIK G SKIPPER 15JUL05 | APVD G SKIPPER 15JUL05 | |
| TOLERANCES UNLESS OTHERWISE SPECIFIED: | | NAME | | |
| 0-PLC ± | ±0.2 | Tyco Electronics | | |
| 1-PLC ± | ±0.1 | MALE ASSEMBLY, Z-PACK 2mm HM, TYPE B | | |
| 2-PLC ± | ± | PRODUCT SPEC | | |
| 3-PLC ± | ± | 108-19082 | | |
| 4-PLC ± | ± | APPLICATION SPEC | | |
| ANVLES ± | ± | 114-19029 | | |
| MATERIAL 1 | FINISH SEE TABLE | WEIGHT | SIZE CAGE CODE DRAWING NO | RESTRICTED TO |
| | | | A1 00779 C=5352033 | |
| CUSTOMER DRAWING | | SCALE 4:1 | SHEET 1 OF 2 | REV A |

| LOC | | DIST | | REVISIONS | | | | |
|-----|-----|-------------|------|-----------|------|--|--|--|
| P | LTR | DESCRIPTION | DATE | DN | APVO | | | |
| AD | 00 | SEE SHEET 1 | - | - | - | | | |

- 1 MATERIAL:
CONTACT: PHOSPHOR BRONZE.
HOUSING: GLASS-FILLED POLYESTER.
- 2 GENERAL PLATING SPECIFICATION: UNDERPLATING
(ENTIRE CONTACT): 1.27µm MIN NICKEL AND ACTION
PIN: 0.5µm MIN TIN.
FOR PLATING OF MATING SURFACES SEE APPLICABLE
SPECIFICATION REFERENCE FOR EACH DASH NUMBER.
- 3 CONFORMS TO ALL TESTING ACCORDING TO IEC 61076-4-101
PERFORMANCE LEVEL 2.
- 4 CONFORMS TO ALL TESTING ACCORDING TO IEC 61076-4-101
PERFORMANCE LEVEL 1.
- 5 CONNECTOR TESTED AND QUALIFIED AGAINST TELCORDIA GR-1217-CORE QUALITY LEVEL 3,
CENTRAL OFFICE APPLICATIONS.
- 6 CONNECTOR TESTED AND QUALIFIED AGAINST TELCORDIA GR-1217-CORE QUALITY LEVEL 3,
UNCONTROLLED ENVIROMENT APPLICATIONS.
- 7 CONNECTOR MARKED WITH PART NUMBER AND DATE CODE.
ADDITIONAL CHARACTERS OR MARKINGS, AS WELL AS THE LOCATION OF THE MARKINGS,
MAY BE ADDED FOR TRACEABILITY BASED UPON MANUFACTURERS DISCRETION.
- 8 PLATED-THROUGH HOLES AT 2x2mm SQUARE GRID
PATTERN DEFINED BY CONTACT LAYOUT.
- 9 FOR ACTUAL PIN LOADING SEE "CONTACT LAYOUT".
- 10 FOR ACTUAL PIN DIMENSIONS SEE "CONTACT DIMENSIONS".
- 11 TO BE MEASURED AT BOTTOM OF SHROUD.
- 12 CONNECTOR LUBRICATED WITH BELCORE APPROVED LUBRICANT,
TECHNICAL REFERENCE: TR-NWT-001217 ISSUE 1, SEP 1992.
- 13 OBSOLETE PARTS: OBSOLETE CIS STREAMLINING PER D.RENAUD/D.SINISI

| | | | | |
|---|--|--|---------|---|
| THIS DRAWING IS A CONTROLLED DOCUMENT. | | DIN B CARBO | 15JUL05 |  Tyco Electronics Corporation Harrisburg, Pa 17105-3608 |
| | | CHK G SKIPPER | 15JUL05 | |
| DIMENSIONS: mm | | TOLERANCES UNLESS OTHERWISE SPECIFIED: | | APVO G SKIPPER |
|  | | 0-PLG ± 1-PLG ±0.1 2-PLG ± 3-PLG ± 4-PLG ± ANGLES ± | | NAME MALE ASSEMBLY, Z-PACK 2mm HM, TYPE B |
| MATERIAL SEE SHEET 1 | | FINISH SEE SHEET 1 | | PRODUCT SPEC 108-19082 |
| | | WEIGHT - | | APPLICATION SPEC 114-19029 |
| | | CUSTOMER DRAWING | | SIZE A1 |
| | | SCALE 4:1 | | CAGE CODE 00779 |
| | | SHEET 2 OF 2 | | DRAWING NO 5352033 |
| | | REV A | | RESTRICTED TO - |